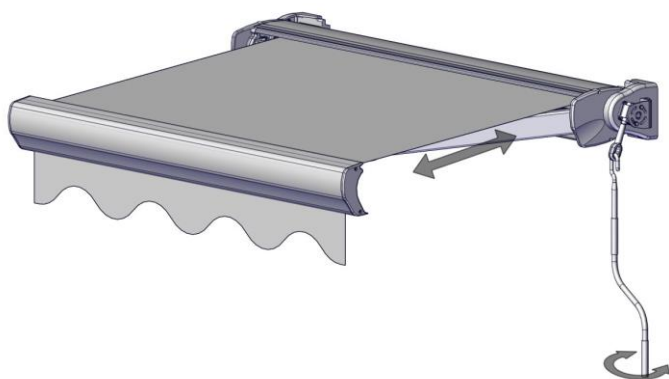


AWNINGS

1. CONTROL

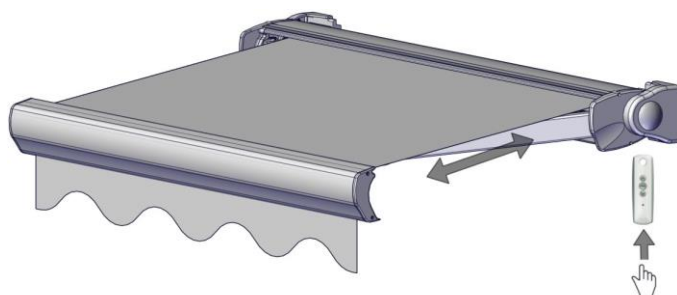
MANUALLY:

Handle

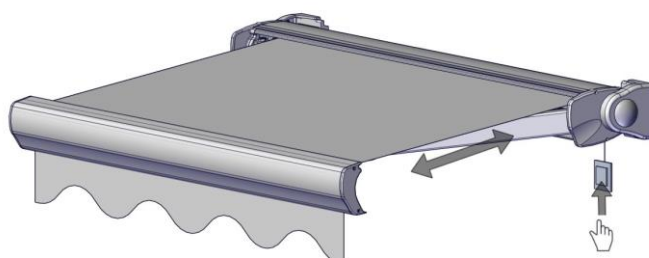


ELECTRIC DRIVE:

Remote control



Switch



CONTROL BY HANDLE

You can roll (into the tightened position) or unroll the awning by turning the handle to the right / to the left. To achieve the tight fabric at maximum extension, it is necessary to twist the handle about one turn back (the same as the unrolling)

CONTROL BY ELECTRIC DRIVE:

Unrolling and rolling the awning can be made by the electric drive either remote control or switch. By the electric drive you can use an automatic transmission according to the weather such as wind and solar sensor. In this case the motor with remote control is necessary. To set the control of awning, follow the instructions for that equipment supplied by the supplier.

For drives with emergency manual control NHH is has to be ensured that the awning moves only between the two extreme positions when handling the awning handle using (e.g. during a power failure). Pass out of these positions could lead to mechanical damage of awning. Only instructed person may carry handling with manual control.

The engine is fitted with a thermal circuit breaker that protects the engine against overheating and consequent damage so that the engine, after being operated for a while, is disconnected. After a short time when the engine is cooled, it can continue in operation. After connecting the electricity, the awning moves itself into the adjusted end position.

2. MAINTENANCE

Dirt is removed by fine brushing or vacuuming of material.

The material is cleaned using a solution of water and soap (the maximum temperature of the solution is 30°C).

Rinse the soap solution from the cloth using clean water.

Before folding the awning, let it fully dry.

Stains from oil or other fat can be wiped from the edge to the centre using technical fuel.

Yearly, best before the beginning of the season, all slide parts (swing joints in the cassette, by arms and in the low profile) should be greased by a teflon-based lubricant.

3. SAFETY INSTRUCTIONS

- To avoid the cloth being torn by the console and roller support, it must always be rolled from up on the shaft.
- During rain, storms and winds, it is necessary to roll up the awning. The awning must not be used during snow and when temperatures fall below freezing. The excessive loading due to the influence of these factors can damage the product.
- When rotating the awning with the lever, we recommend turning the cloth to the final position and then tightening it by reversing the lever (for the electric drive version, tightening of the awning is set automatically).
- During coating and repairs, it is necessary to dismantle the awning.
- The construction of the awning should not be overloaded.
- Handle the awning carefully, especially during cleaning.
- N.B. The arms of the awning are spring-based and if not carefully handled can cause injury.

FOR PRODUCTS WITH MOTOR-DRIVEN DRIVES:

- To set the electric control of the product, follow the manual for this device that was delivered by the supplier.
- Do not allow children to play with the equipment. Keep the remote control out of the reach of children.
- Check the installation for damage to inlets.
- For the inspection or maintenance of electrical parts, the product must be disconnected in an appropriate manner from the electricity supply.

NOTIFICATION:

Electric installation, assembly and maintenance must only be performed by fully-qualified persons who are authorized and capable of the stated actions.

In the case of a defect or mechanical damage to the product, prevent any further use.

NOTES:

- If the product is not functional, contact the seller or the firm which assembled the product.
- The display of the product may slightly differ from the actual version. The producer reserves the right to make changes.
- After the termination of the service life, do not dispose of in communal waste. Materials used can be separated and handed over in accordance with the valid regulations on waste and environmental protection. Information on waste collection points can be obtained from the local administration office.