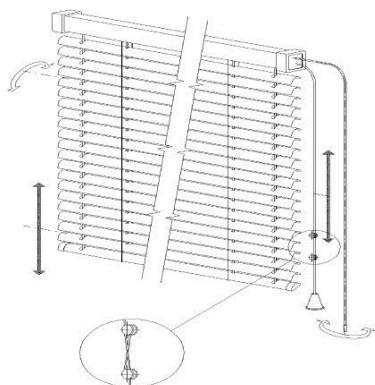


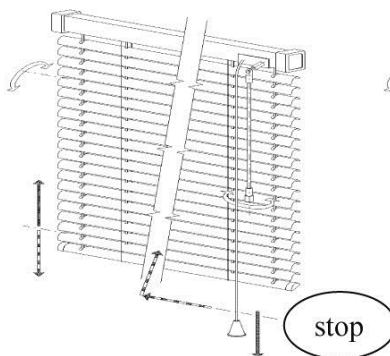
HORIZONTAL BLINDS

1. CONTROL

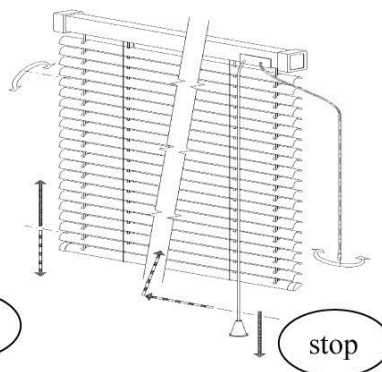
Semi-window blinds



Interior blinds



Interior blinds with front outlet



DESCRIPTION OF THE CONTROL USING CORD AND DRAWBAR:

The blind is lifted and lowered using the cord. First of all, release the brake by drawing the cord to the centre of the blind. The blind is lowered by releasing the cord; lifting into the requested position is achieved by drawing in the cord. By drawing the cord into the centre, the consequent release will secure the brake. Tilting of lamellas and regulation of light is achieved by turning the drawbar. Recommendation: when lifting and lowering the blind, tilt the lamellas into the open position.

DESCRIPTION OF THE CONTROL USING THE ROTARY KNOB:

The lamellas are tilted using the knob – by turning to the left and the right. A version WITH or WITHOUT lifting/lowering of lamellas using the cord can be produced. The version with the lifting cord is controlled similarly as the other horizontal blinds.

Control of the sloped blind: Lifting the blind by using the control cords is only possible for the bevelled part of the blind.

Blinds without the side nylon guiding can be lifted up to the upper profile.

Control of a broken blind: Lifting the blind by using the control cords is only possible for the bevelled part of the blind.

2. MAINTENANCE

The product does not require any extraordinary maintenance or lubrication of control mechanisms.

In the case of dirtying (dust), regularly use a fine brush or a slightly adjusted manual vacuum cleaner.

During common cleaning regularly wipe the surface with a cloth or a wet soft textile or sponge. Only use soap solutions without chemical ingredients at a temperature of up to 30°C.

Do not use aggressive detergents, such as organic solvents, cleaning sand, cleaning pastes, developing steams and strong alkali cleaning detergents.

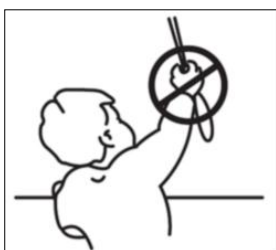
NOTIFICATION:

Ensure careful cleaning of shading lamellas to prevent jamming or other damage.

When cleaning windows, set the product into a position to prevent damage and any interference while cleaning.

Protect the product against dirtying during reconstruction and painting.

3. SAFETY INSTRUCTIONS



Important note

Pursuant to the EN 13 120 standard, we hereby call your attention to possible hazards posed by the use of pull cords and chains!

Safety instructions / strangulation hazard:

- Young children have been strangled by loops in pull-cords, chains and tapes, and cords that operate the product.
- To avoid strangulation and entanglement, keep cords out of the reach of young children. Cords may become wrapped around a child's neck.
- Move beds, cots and furniture away from window covering cords.
Install the enclosed safety components to make sure cords do not twist and create a loop.
- Do not use force when handling the product if any obstacle prevents its motion.
- Do not attach any items to the product (particularly on the lamellas, control cords, nylon and draw bars).
- Prevent mechanical stress and damage to the product.
- For products controlled by cords, keep cords out of the reach of children to prevent entangling and jamming.
- Handle the product carefully, especially during cleaning.

FOR PRODUCTS WITH MOTOR-DRIVEN DRIVES:

- To set the electric control of the product, follow the manual for this device that was delivered by the supplier.
- Do not allow children to play with the equipment. Keep the remote control out of the reach of children.
- Check the installation for damage to inlets.
- For the inspection or maintenance of electrical parts, the product must be disconnected in an appropriate manner from the electricity supply.

NOTIFICATION:

Electrical installation, assembly and maintenance must only be performed by fully-qualified persons who are authorized and capable of the stated actions.

In the case of a defect or mechanical damage to the product, prevent any further use.

NOTES:

- If the product is not functional, contact the seller or the firm which assembled the product.

- The display of the product may slightly differ from the actual version. The producer reserves the right to make changes.
- After the termination of the service life, do not dispose of in communal waste. Materials used can be separated and handed over in accordance with the valid regulations on waste and environmental protection. Information on waste collection points can be obtained from the local administration office.