

## SYSTEM 25

### 1. CONTROL

#### **DESCRIPTION OF THE CONTROL USING THE CHAIN:**

The blind is lifted and lowered using the chain. Drawing is always achieved by one chain in a downward direction.

By drawing both chains at the same time, it can be damaged or can the body of the blind be pulled out from the holders. The tilting of lamellas and regulation of light is performed by fine manipulation with the chain. The lifting height of the lamellas is secured by catching the chain in the holder. For versions of the blind fitted with a brake, the lifted lamellas are held in any position without the need to secure the chain in the holder.

#### **DESCRIPTION OF THE CONTROL USING CORD AND DRAWBAR:**

The blind is lifted and lowered using the cord. First, release the brake by drawing the cord to the center of the blind. The blind is lowered by releasing the cord; lifting into the requested position is achieved by drawing in the cord. By drawing the cord into the center, the consequent release will fix secure the brake.

Tilting of lamellas and regulation of light is achieved by turning the draw bar. Recommendation: when lifting and lowering the blind, tilt the lamellas into the open position.

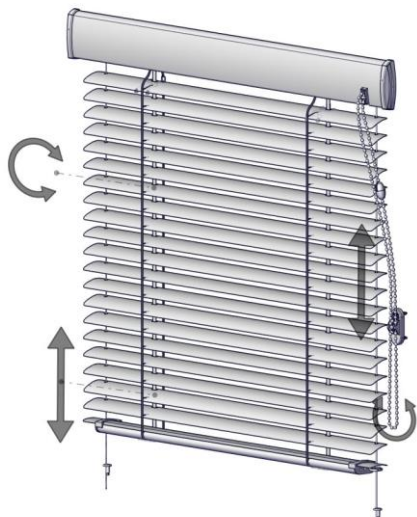
#### **DESCRIPTION OF THE CONTROL USING THE LEVER:**

Grasp the lever, hold the lower part for better control and tilt the whole lever away from the wall. The blind is lifted by turning the lever in an upward direction and downward in the opposite direction. After manipulation, return the bar to the original position.

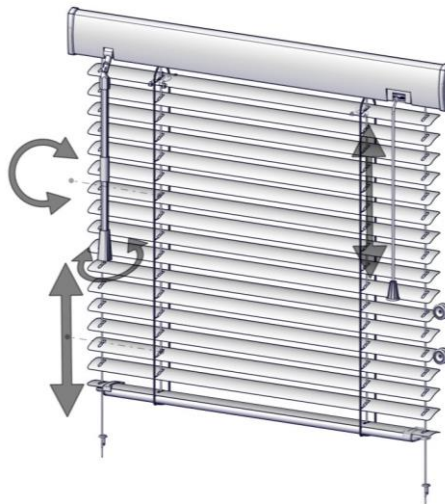
#### **DESCRIPTION OF THE CONTROL USING THE ELECTRIC ENGINE:**

The blind can be lifted or lowered by the electric drive, using the remote control or the switch. To set the electric control of the blinds, follow the manual for this device that was delivered by the supplier.

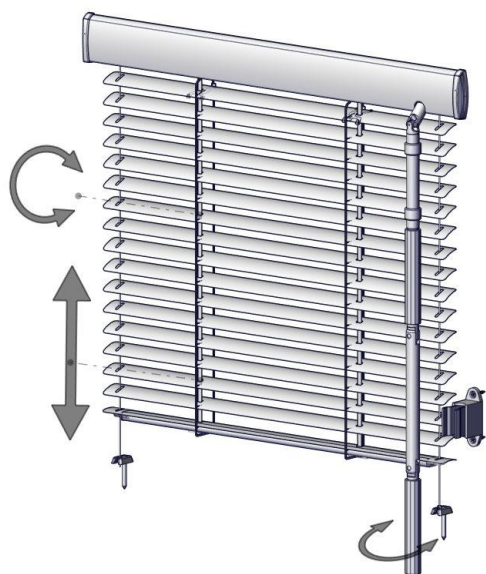
Chain



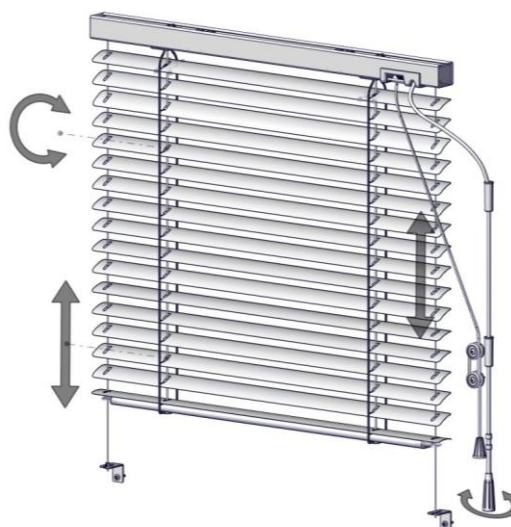
Cord / drawbar



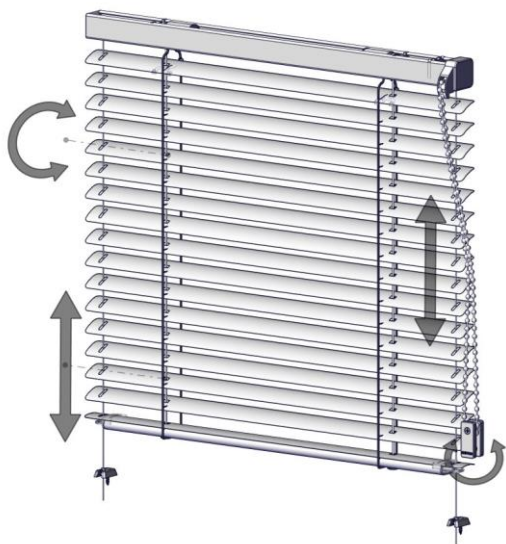
Crank



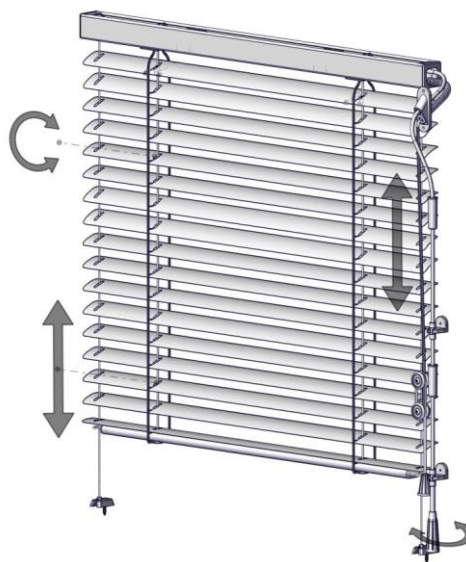
Front outlet



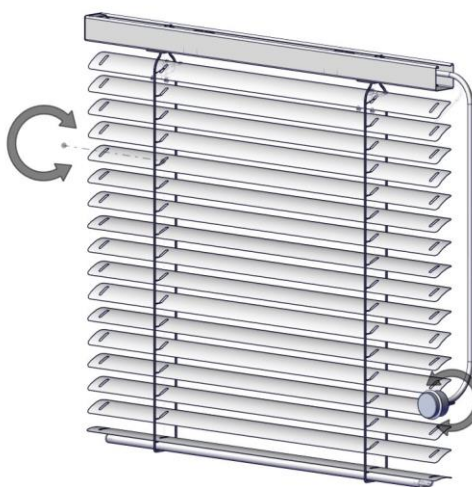
Neverending chain (Large)



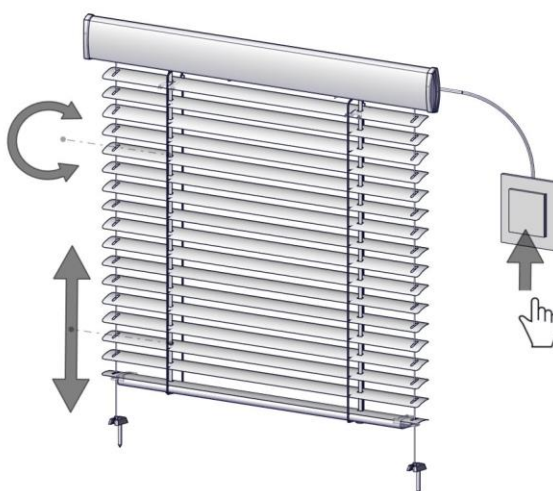
Between glass



Turn button



Engine



### **Incorrect control**

Do not control the shutter in a manner other than specified in this technical manual.

#### **NOTE:**

Never attempt operating the shutter manually by force. This is likely to cause permanent damage to the shutter.

### **Shutter movement**

It is necessary to ensure the shutter area is free of any objects and other obstacles that would prevent free downward and upward movement of the shutter.

### 2. MAINTENANCE

The product does not require any extraordinary maintenance or lubrication of control mechanisms.

In the case of dirtying (dust), regularly use a fine brush or a slightly adjusted manual vacuum cleaner.

During common cleaning, regularly wipe the surface with a cloth or a wet soft textile or sponge. Only use soap solutions without chemical ingredients at a temperature of up to 30°C.

Do not use aggressive detergents, such as organic solvents, cleaning sand, cleaning pastes, developing steams and strong alkali cleaning detergents.

#### **NOTIFICATION:**

Ensure careful cleaning of shading lamellas to prevent jamming or other damage.

When cleaning windows, set the product into a position to prevent damage and any interference while cleaning.

Protect the product against dirtying during reconstruction and painting.

#### **Maintenance**

We recommend performing regular visual checks of the control elements (wear, damage, etc.) and check of rigidity of the whole unit.

Call a specialist to replace worn-out and damaged parts by original spare parts as soon as possible.

#### **Care**

Lifetime of the product can only be guaranteed by proper use, care and maintenance.

Regular cleaning should only be performed by suitable means. Gently remove dirt and obstacles from the guide rails.

#### **RECOMMENDATION:**

Disconnect the unit from the mains when cleaning.

### REGULAR INSPECTION OF THE CONDITION:

- permanent functions of blinds (lifting and lowering)
- condition and rate of dirtying of blinds
- wearing of control equipment
- condition of guiding, guiding bars and unloader
- correct function of end switches
- noise level when running

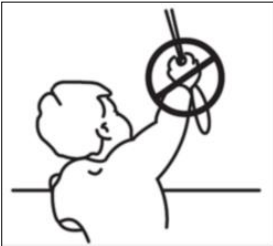
### NOTIFICATION:

Ensure careful cleaning of shading lamellas to prevent jamming or other damage.

When cleaning windows, set the product into a position to prevent damage and any interference while cleaning.

Protect the product against dirtying during reconstruction and painting.

### 3. SAFETY INSTRUCTIONS



Pursuant to the EN 13 120 standard, we hereby call your attention to possible hazards posed by the use of pull cords and chains!

- Do not handle the product violently if there is an obstacle preventing its movement.
- Do not hang any objects on the product (especially on the slats, control mechanism).
- Avoid mechanical stress and damage to the product.
- For the cord-operated product, keep cords out of the reach of small children to avoid entanglement and strangling.
- Handle the product with care when using, especially when cleaning. We recommend unplugging during cleaning.

#### **Unsuitable use of the shutter**

Never use the shutter for a purpose other than for which it has been designed.

#### **NOTE:**

Do not hang any objects to the curtain. This is likely to cause irreversible damage to the shutter.

#### **Accessibility of the control elements**

Prevent easy access by children to the shutter control elements.

This precaution will prevent possible damage to the control elements as well as the whole shutter.

### **For motorized products:**

- To set up the control of the blinds, follow the instructions directly from the manufacturer of this electric drive, including the instructions for the remote control or switch.
- Prevent children from having easy access to the roller shutter control. Keep the remote control out of the reach of children.
- We recommend a regular visual inspection of the control elements (wear, damage, etc.), the inspection and repair itself must be carried out by a qualified and professional worker.
- To check or maintain electrical parts, the product must be reliably disconnected from the power supply.

### **WARNING:**

Installation, assembly and maintenance of electrical components must be carried out only by qualified persons who are authorized and competent to perform the tasks. If there is a defect or mechanical damage to the product, prevent its further use. It is necessary to replace damaged and worn parts with original spare parts as soon as possible.

### **NOTICE:**

- If the product is not functional, contact your dealer or the assembly company that carried out the assembly.
- The depiction of the product may not correspond to reality in all details. The manufacturer reserves the right to change.
- After the end of the product's lifetime period, do not dispose of it in municipal waste. The materials used in the product can be separated and handed over in accordance with the applicable regulations on waste and environmental protection. You can get information about waste collection points from your local authority.